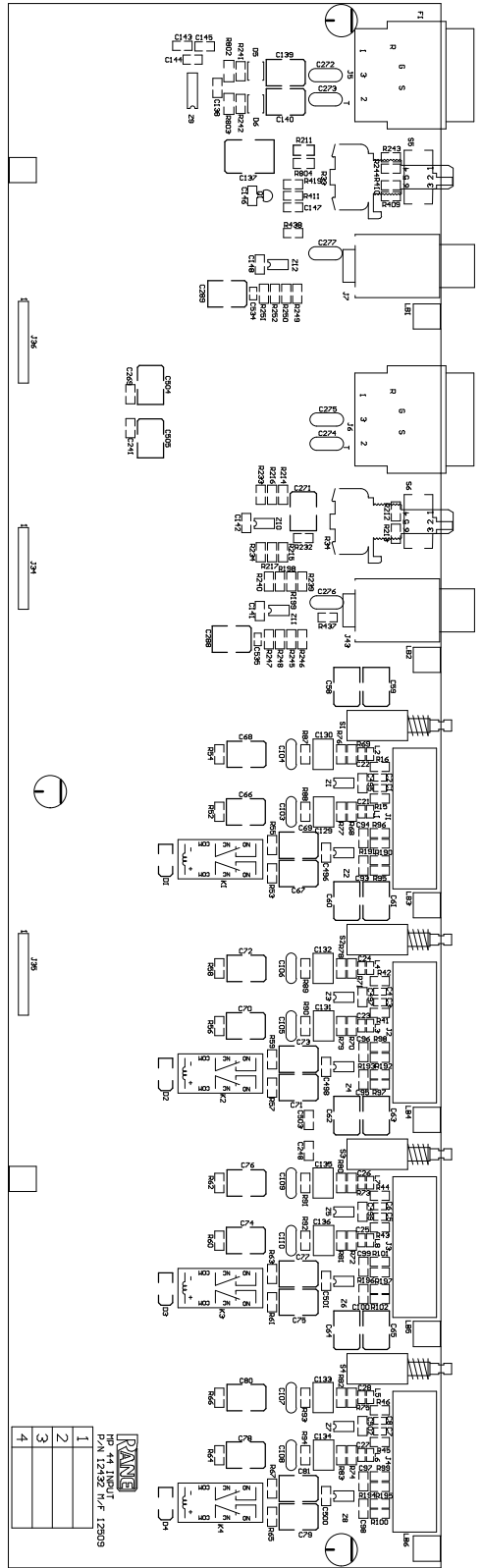
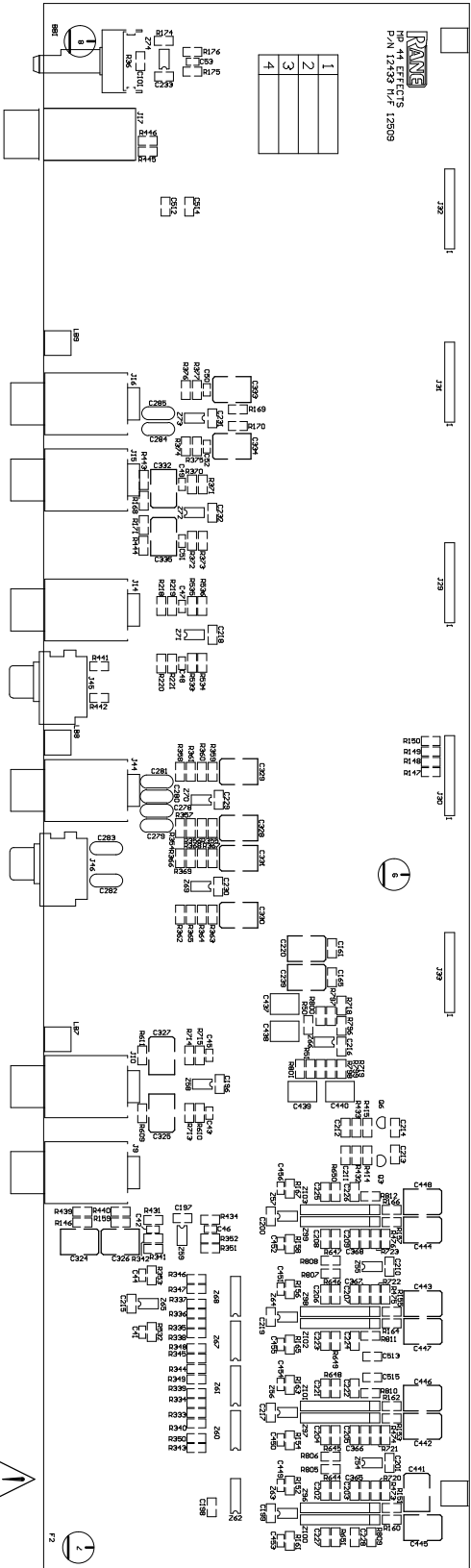
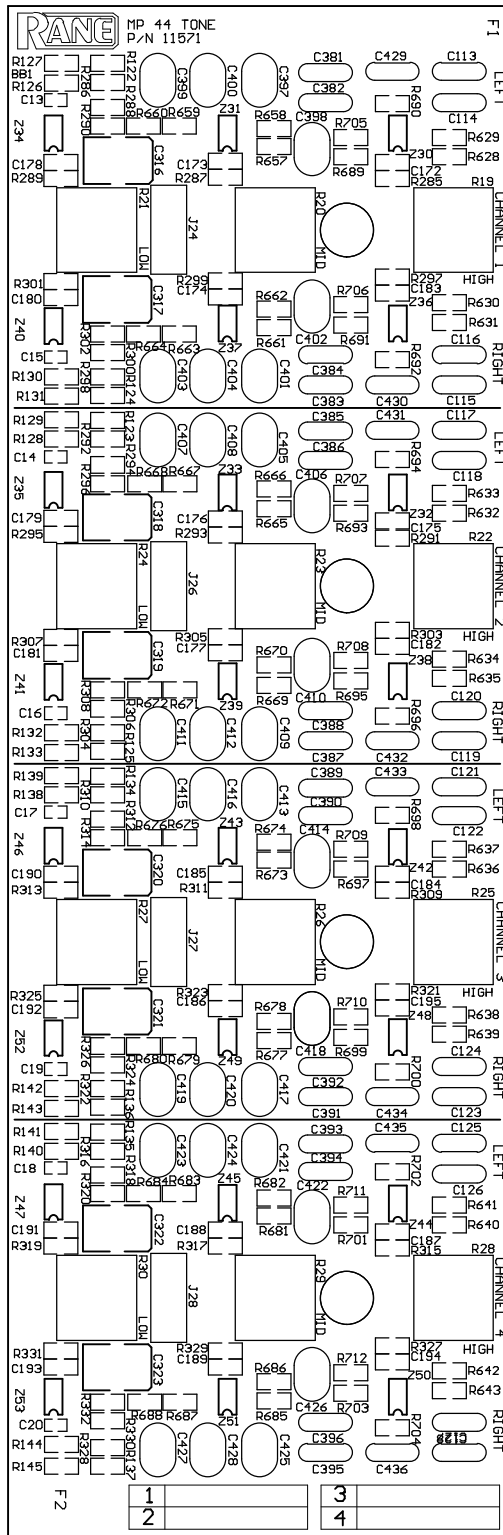


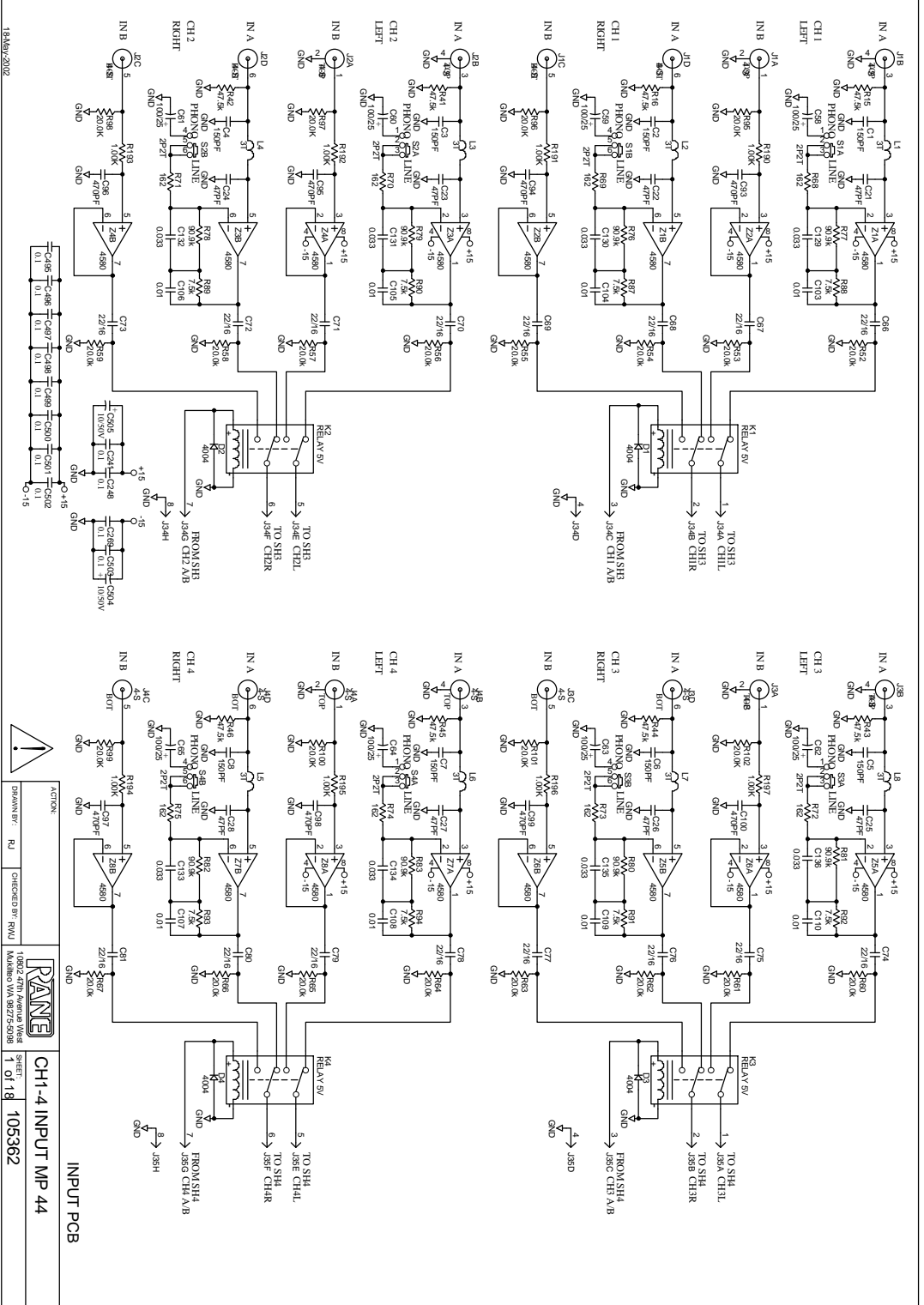
Rane Corp. (425)355-6000
 105367 DES: BOTTOM MP 44 SHEET 1 OF 2
 ACTION: ADDED R 813-816, MOVED S37, R31, R32 AND
 ASSOCIATED PARTS RWJ 27AUG01



Rane Corp. (425)355-6000
 105379 DES: INPUT/EFFECTS MP 44
 ACTION: ADDED & CHANGED MANY RESISTORS, Z9 WAS SSM2017 RWJ 23AUG01



MP INPUT
105362-1.SCH
EFFECTS MD
10536210.SCH



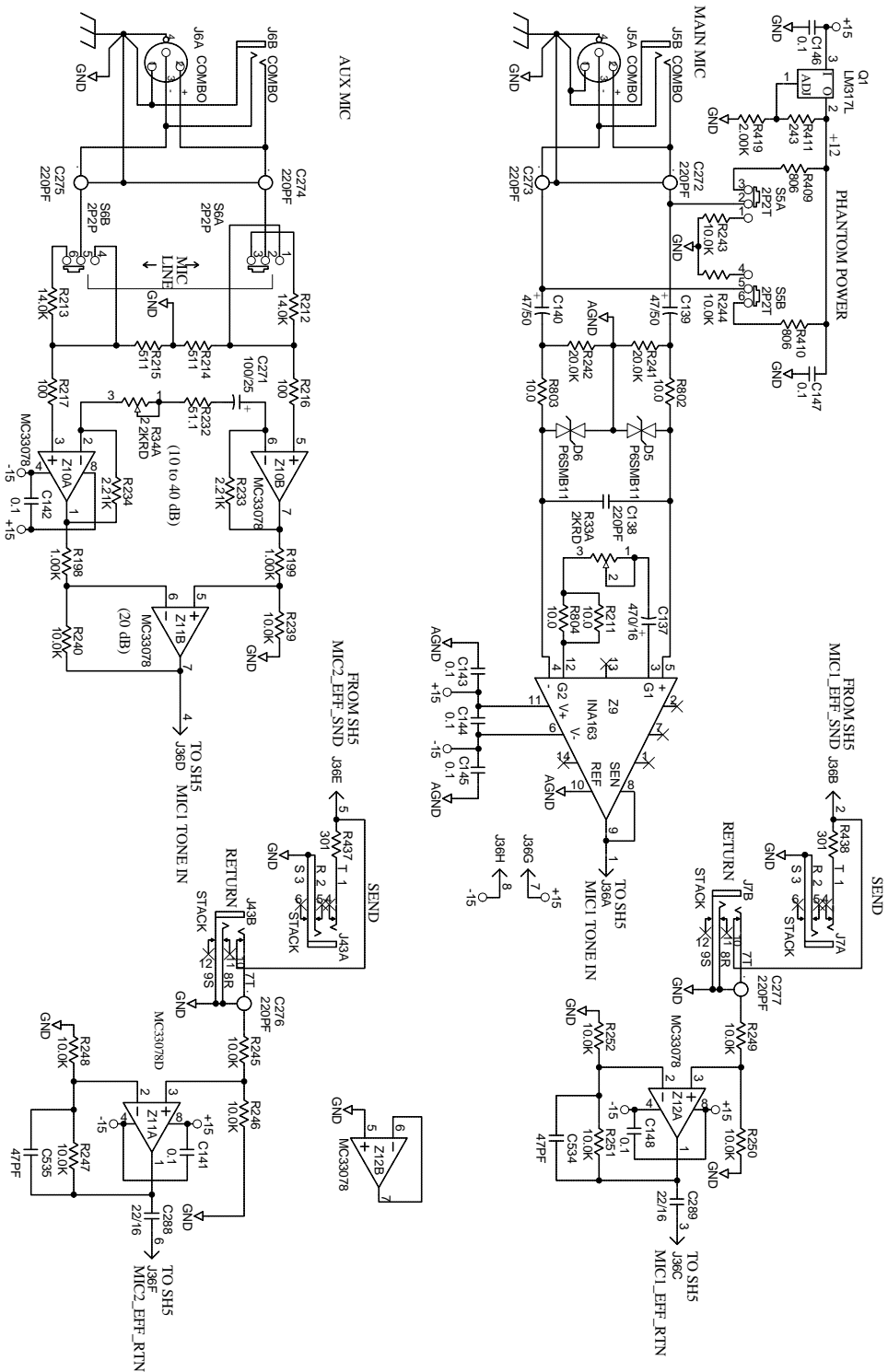


ACTION:
 DRAWN BY: RJ
 CHECKED BY: RWJ



SHEET: 2 of 18
 105362
 MIC INPUTS MP 44

INPUT PCB



AUX MIC

FROM SH5

SEND

TO SH5

MIC1_EFF_RTIN

FROM SH5

SEND

TO SH5

MIC1_EFF_RTIN

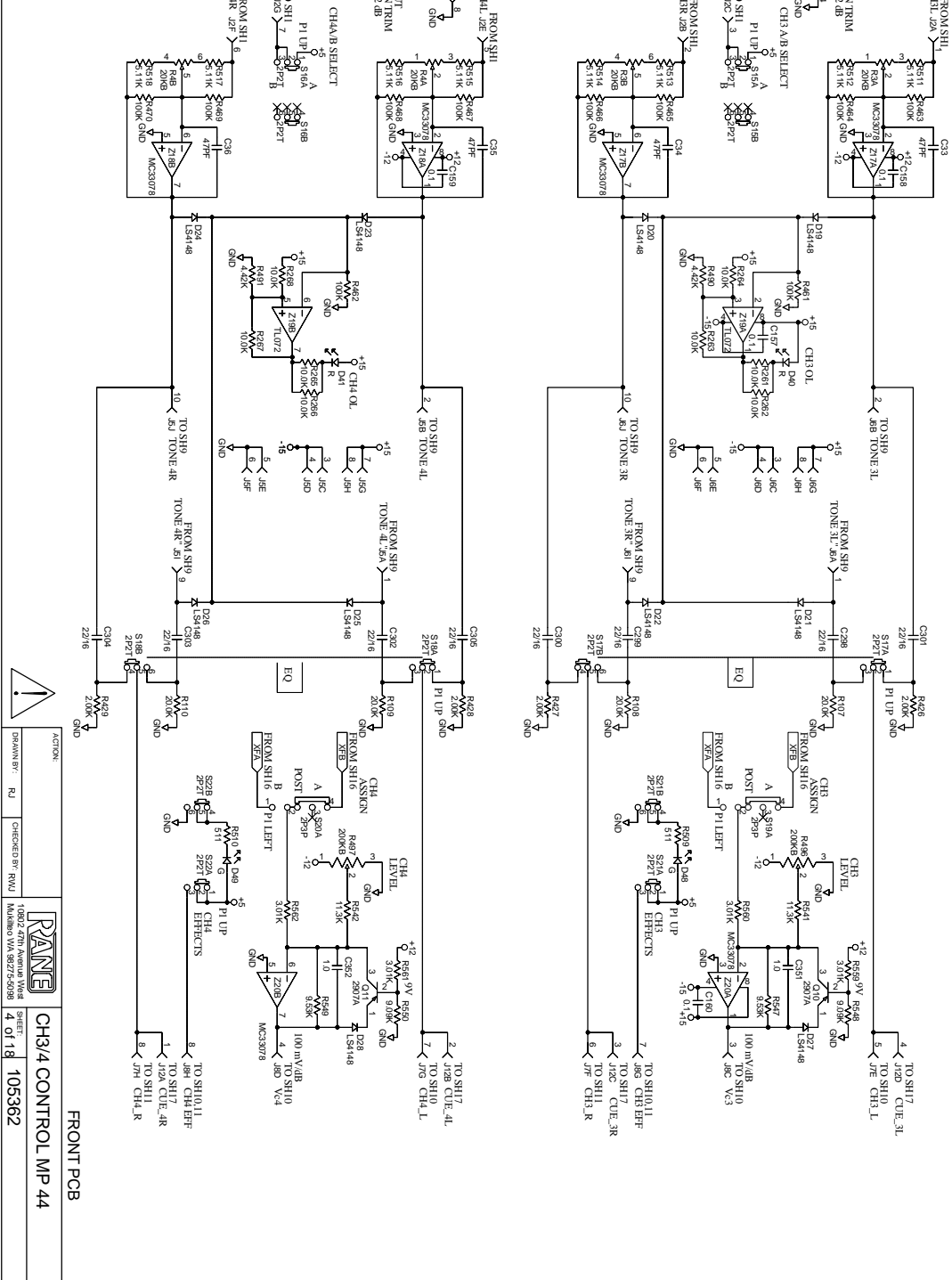
MAIN MIC

PHANTOM POWER

TO SH5

MIC1 TONE IN

MIC1_EFF_RTIN



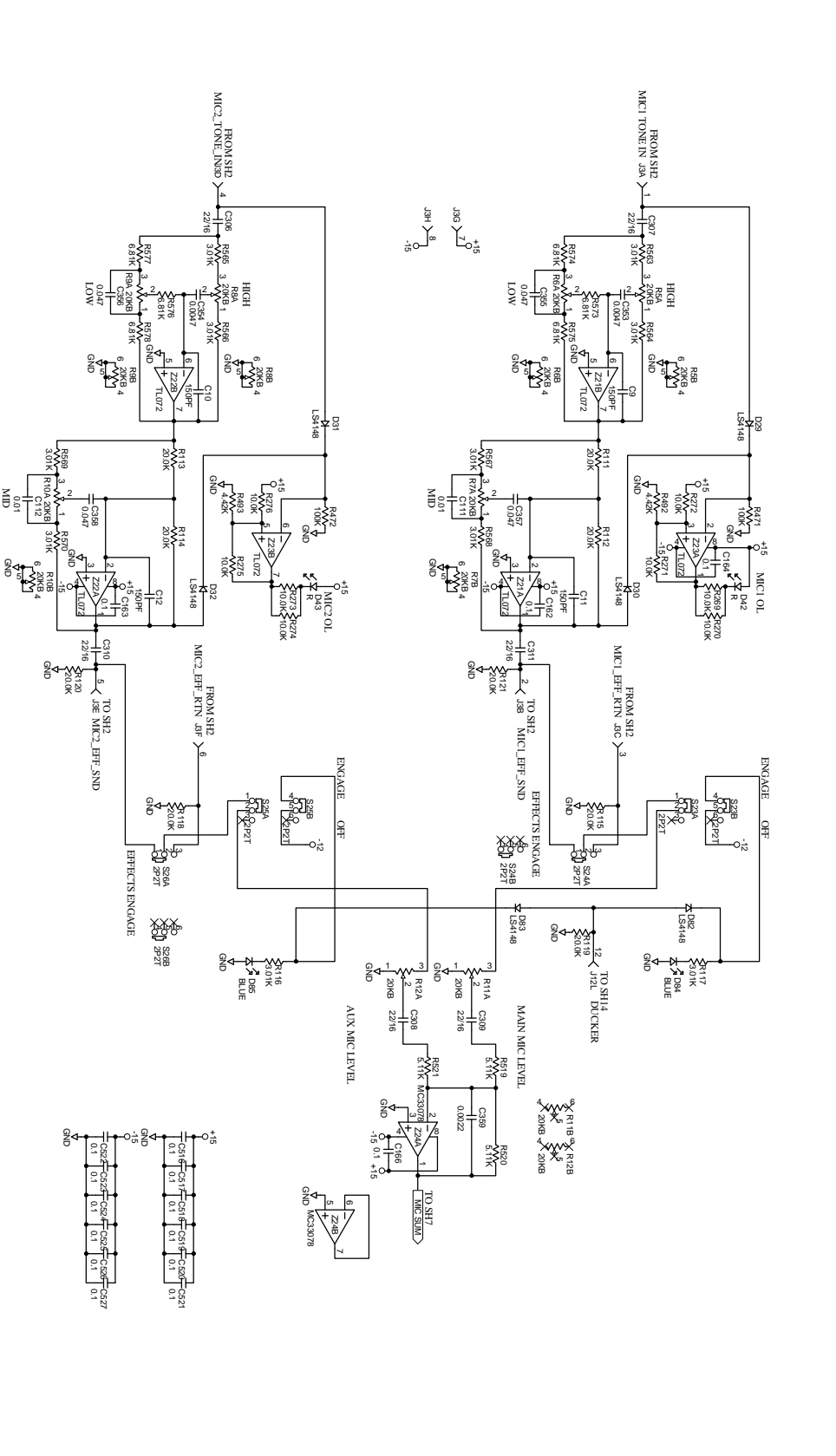
ACTION:		DRAWN BY: RU		CHECKED BY: RWJ				CH3/4 CONTROL MP 44	
						10802 27th Avenue West Tukwila WA 98148		SHEET 1 4 OF 18 105362	

FRONT PCB



ACTION	DRAMAN BY: RJ	CHECKED BY: RWJ	10802 27TH AVENUE WEST IRVING, TX 75039	MIC TONE/ASSIGN MP 44
			SHEET 5 OF 18	105362

FRONT PCB





ACTION: DRAWN BY: RJ

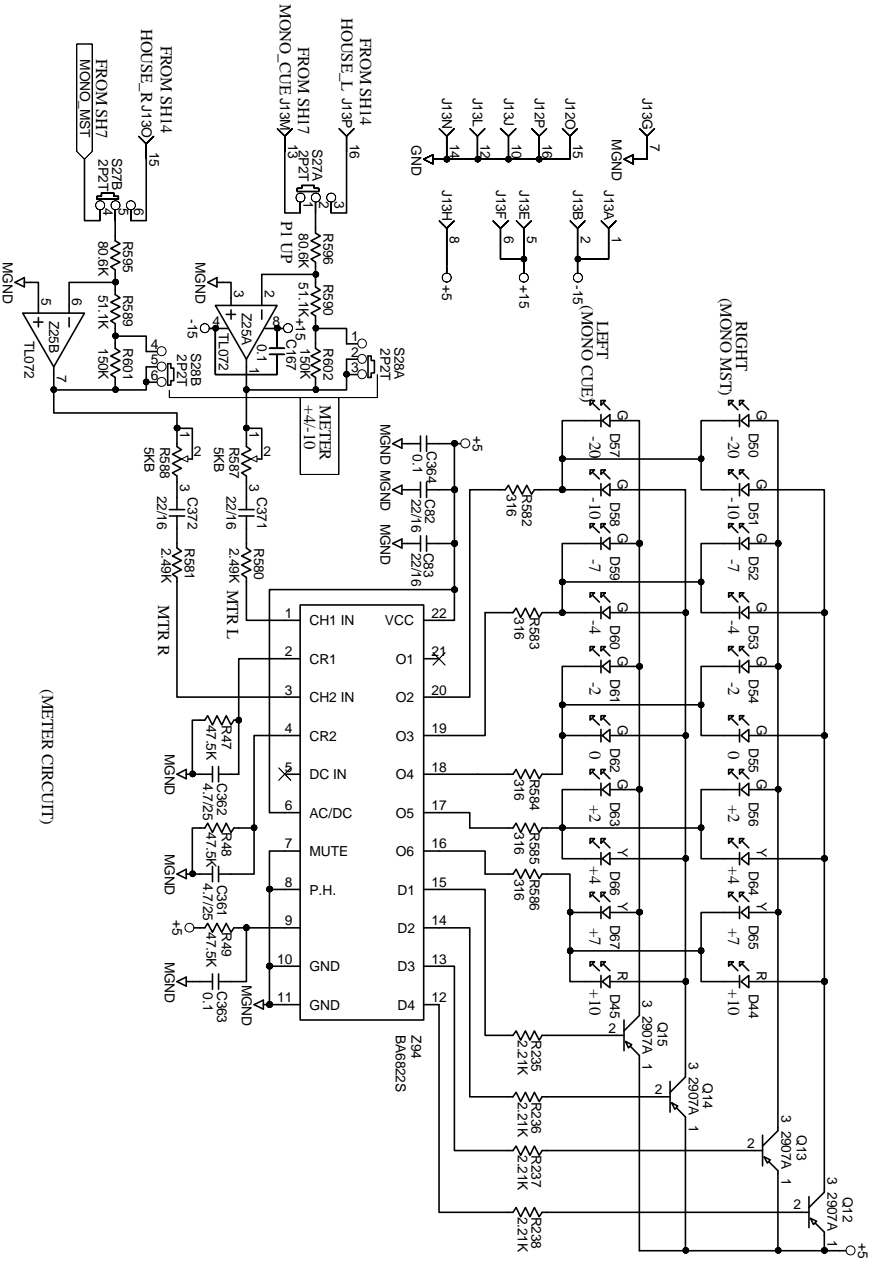
CHECKED BY: RWJ

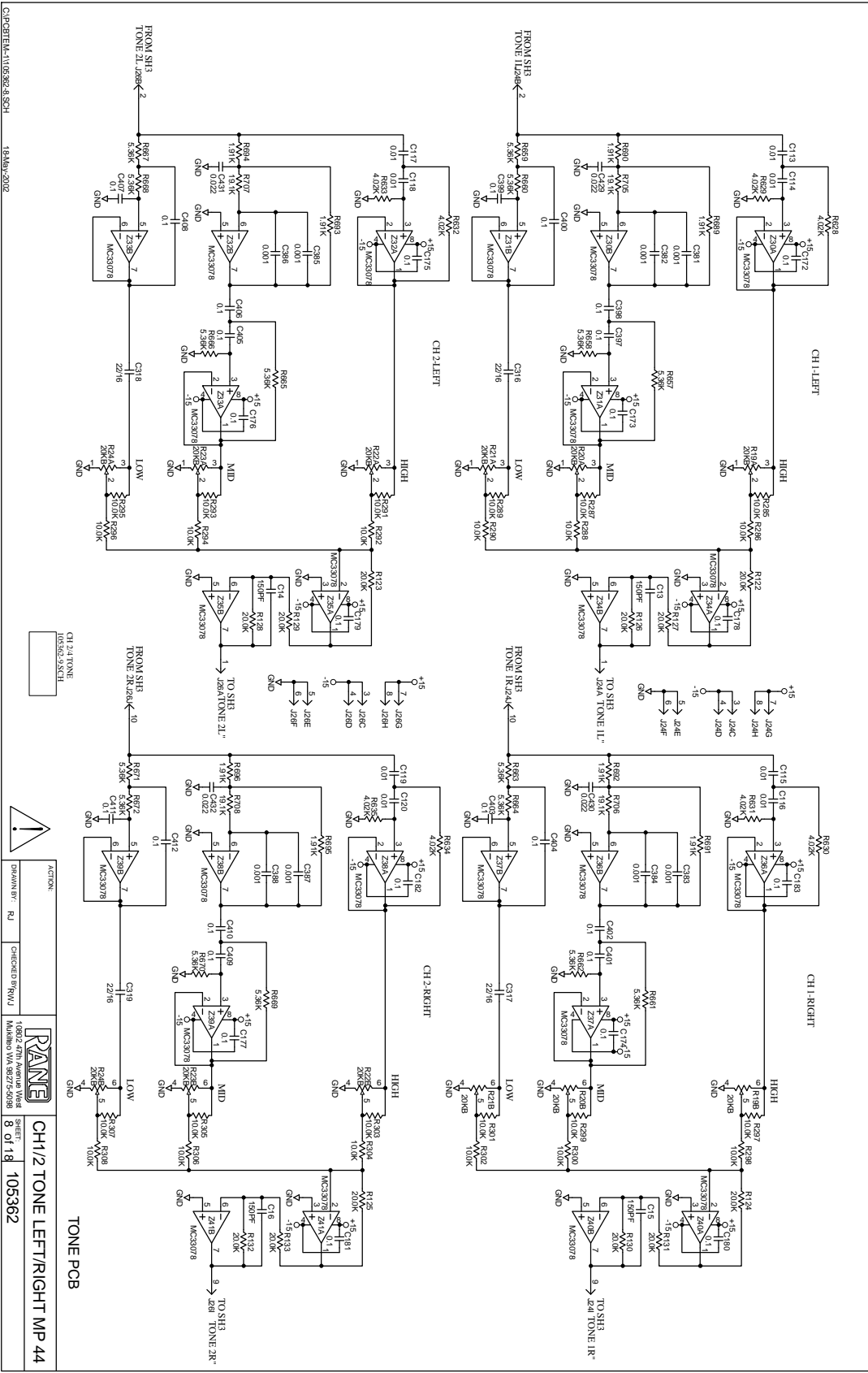
10802 47th Avenue West
Mukilteo WA 98275-5098

SHEET: 6 of 18

METER MP 44
105362

FRONT BOARD





DATE: 18/05/2002

18/05/2002

18/05/2002

18/05/2002

18/05/2002

18/05/2002

18/05/2002

18/05/2002

18/05/2002

18/05/2002

18/05/2002

18/05/2002

18/05/2002

18/05/2002

18/05/2002

18/05/2002

18/05/2002

18/05/2002

18/05/2002

18/05/2002

18/05/2002

18/05/2002

18/05/2002

18/05/2002

18/05/2002

18/05/2002

18/05/2002

18/05/2002

18/05/2002

18/05/2002

18/05/2002

18/05/2002

18/05/2002

18/05/2002

18/05/2002

18/05/2002

18/05/2002

18/05/2002

18/05/2002

18/05/2002

18/05/2002

18/05/2002

18/05/2002

18/05/2002

18/05/2002

18/05/2002

18/05/2002

18/05/2002

18/05/2002

18/05/2002

18/05/2002

18/05/2002

18/05/2002

18/05/2002

18/05/2002

18/05/2002

18/05/2002

18/05/2002

18/05/2002

18/05/2002

18/05/2002

18/05/2002

18/05/2002

18/05/2002

18/05/2002

18/05/2002

18/05/2002

18/05/2002

18/05/2002

18/05/2002

18/05/2002

18/05/2002

DATE: 18/05/2002

18/05/2002

18/05/2002

18/05/2002

18/05/2002

18/05/2002

18/05/2002

18/05/2002

18/05/2002

18/05/2002

18/05/2002

18/05/2002

18/05/2002

18/05/2002

18/05/2002

18/05/2002

18/05/2002

18/05/2002

18/05/2002

18/05/2002

18/05/2002

18/05/2002

18/05/2002

18/05/2002

18/05/2002

18/05/2002

18/05/2002

18/05/2002

18/05/2002

18/05/2002

18/05/2002

18/05/2002

18/05/2002

18/05/2002

18/05/2002

18/05/2002

18/05/2002

18/05/2002

18/05/2002

18/05/2002

18/05/2002

18/05/2002

18/05/2002

18/05/2002

18/05/2002

18/05/2002

18/05/2002

18/05/2002

18/05/2002

18/05/2002

18/05/2002

18/05/2002

18/05/2002

18/05/2002

18/05/2002

18/05/2002

18/05/2002

18/05/2002

18/05/2002

18/05/2002

18/05/2002

18/05/2002

18/05/2002

18/05/2002

18/05/2002

18/05/2002

18/05/2002

18/05/2002

18/05/2002

18/05/2002

18/05/2002

18/05/2002

DATE: 18/05/2002

18/05/2002

18/05/2002

18/05/2002

18/05/2002

18/05/2002

18/05/2002

18/05/2002

18/05/2002

18/05/2002

18/05/2002

18/05/2002

18/05/2002

18/05/2002

18/05/2002

18/05/2002

18/05/2002

18/05/2002

18/05/2002

18/05/2002

18/05/2002

18/05/2002

18/05/2002

18/05/2002

18/05/2002

18/05/2002

18/05/2002

18/05/2002

18/05/2002

18/05/2002

18/05/2002

18/05/2002

18/05/2002

18/05/2002

18/05/2002

18/05/2002

18/05/2002

18/05/2002

18/05/2002

18/05/2002

18/05/2002

18/05/2002

18/05/2002

18/05/2002

18/05/2002

18/05/2002

18/05/2002

18/05/2002

18/05/2002

18/05/2002

18/05/2002

18/05/2002

18/05/2002

18/05/2002

18/05/2002

18/05/2002

18/05/2002

18/05/2002

18/05/2002

18/05/2002

18/05/2002

18/05/2002

18/05/2002

18/05/2002

18/05/2002

18/05/2002

18/05/2002

18/05/2002

18/05/2002

18/05/2002

18/05/2002

18/05/2002

DATE: 18/05/2002

18/05/2002

18/05/2002

18/05/2002

18/05/2002

18/05/2002

18/05/2002

18/05/2002

18/05/2002

18/05/2002

18/05/2002

18/05/2002

18/05/2002

18/05/2002

18/05/2002

18/05/2002

18/05/2002

18/05/2002

18/05/2002

18/05/2002

18/05/2002

18/05/2002

18/05/2002

18/05/2002

18/05/2002

18/05/2002

18/05/2002

18/05/2002

18/05/2002

18/05/2002

18/05/2002

18/05/2002

18/05/2002

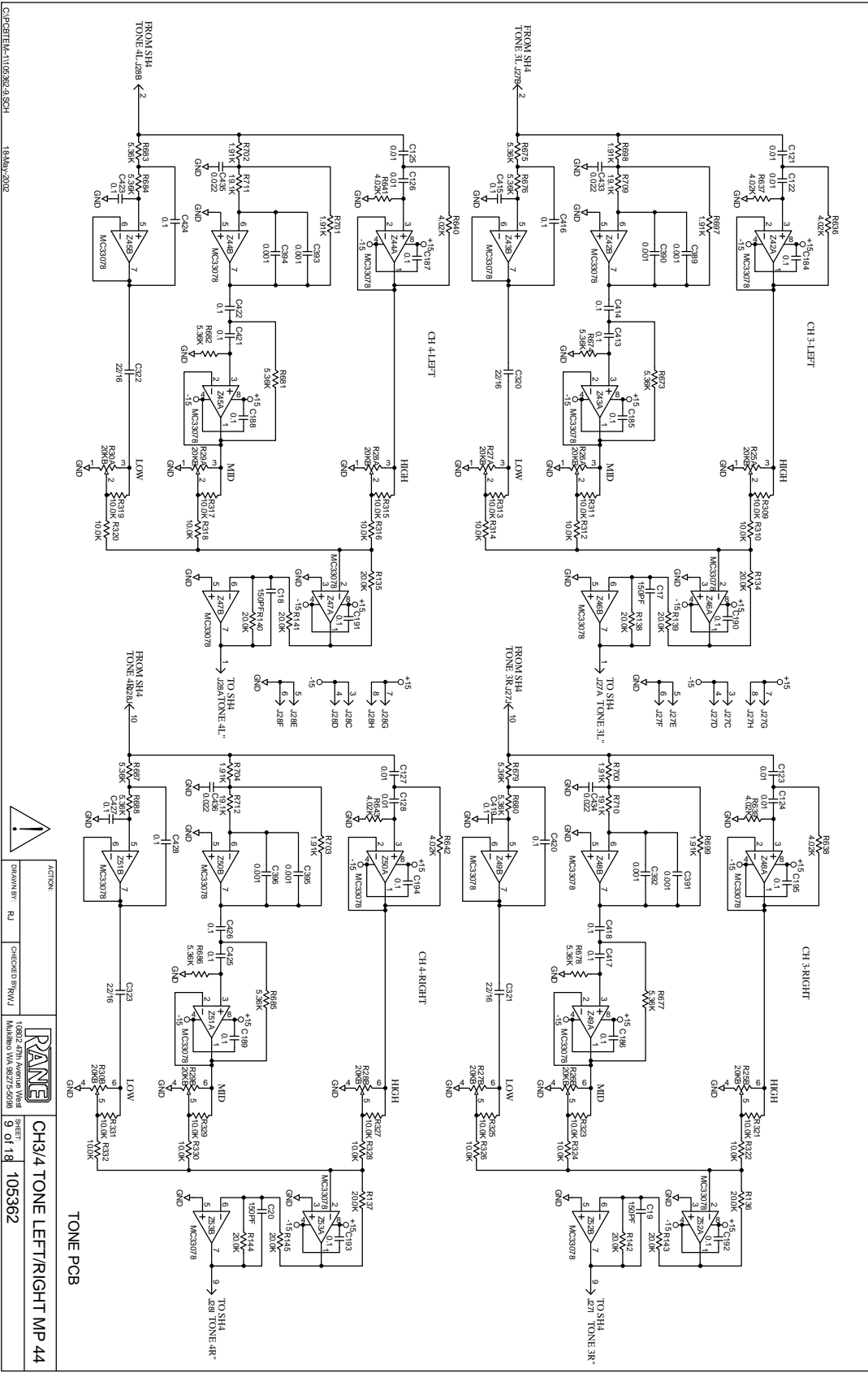
18/05/2002

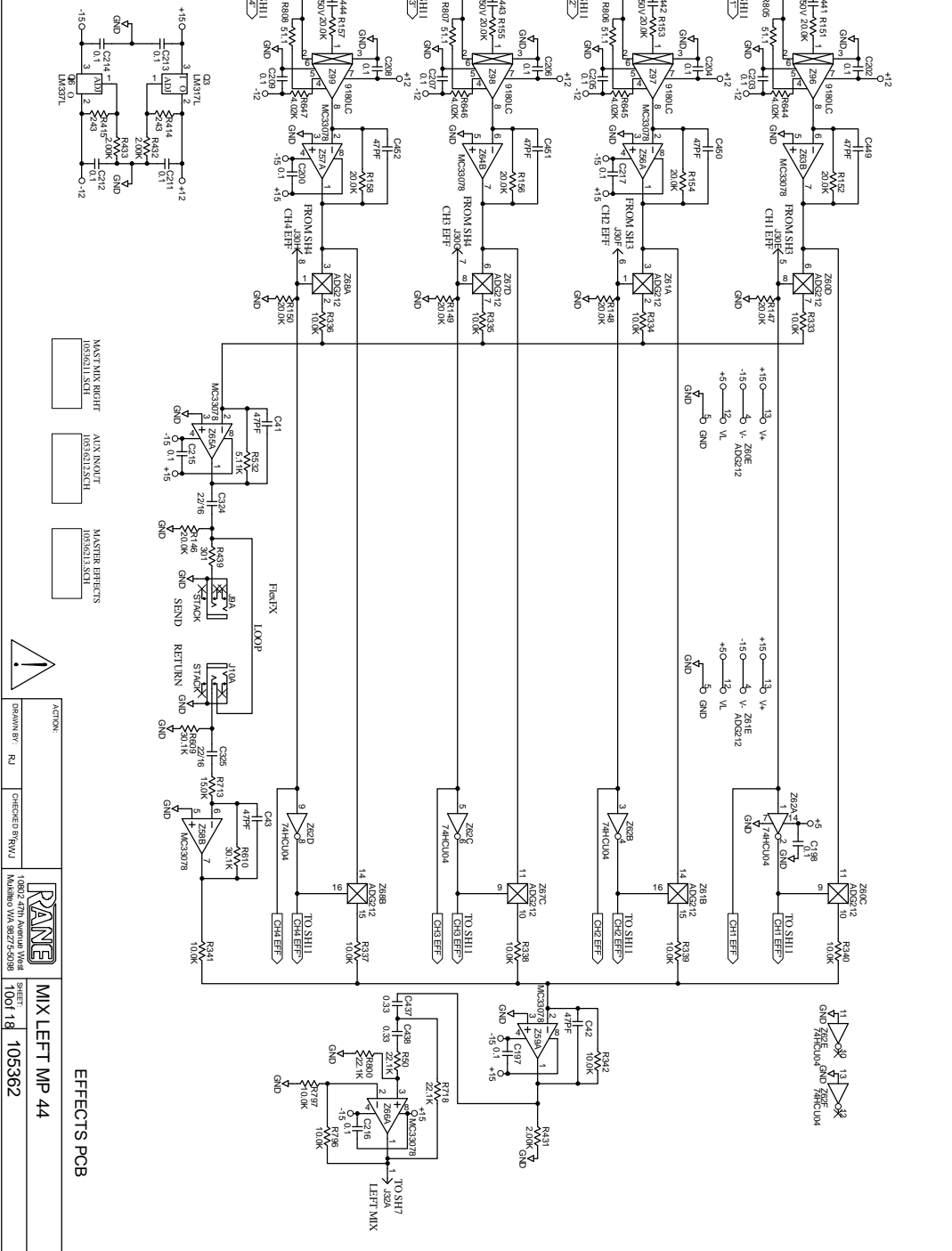
18/05/2002

18/05/2002

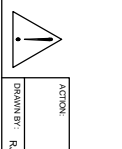
18/05/2002

18/05/2002



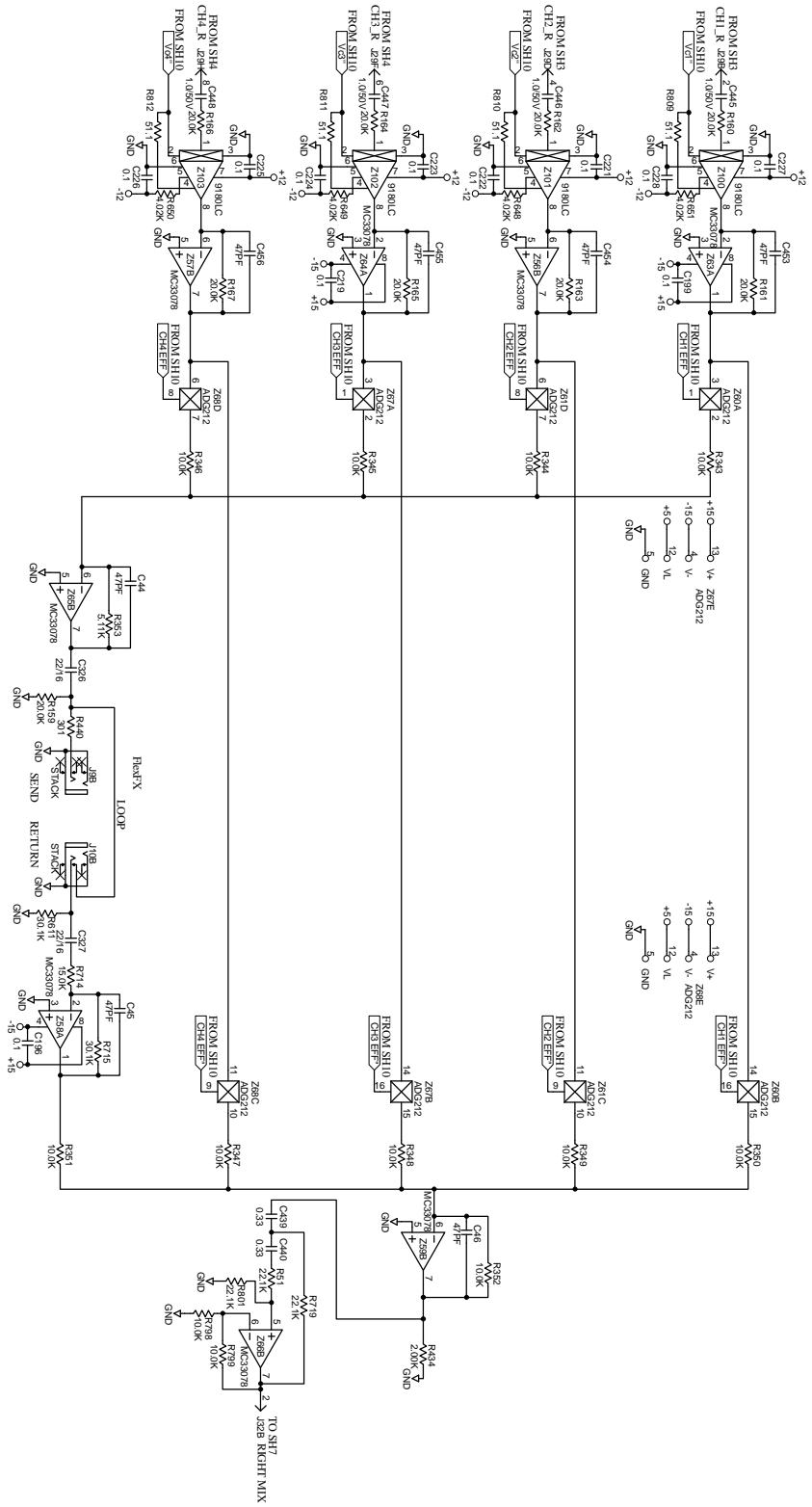


MAIN/IN RIGHT 10556211.SCH
 AUX/IN/OUT 10556212.SCH
 MASTER/EFFECTS 10556213.SCH



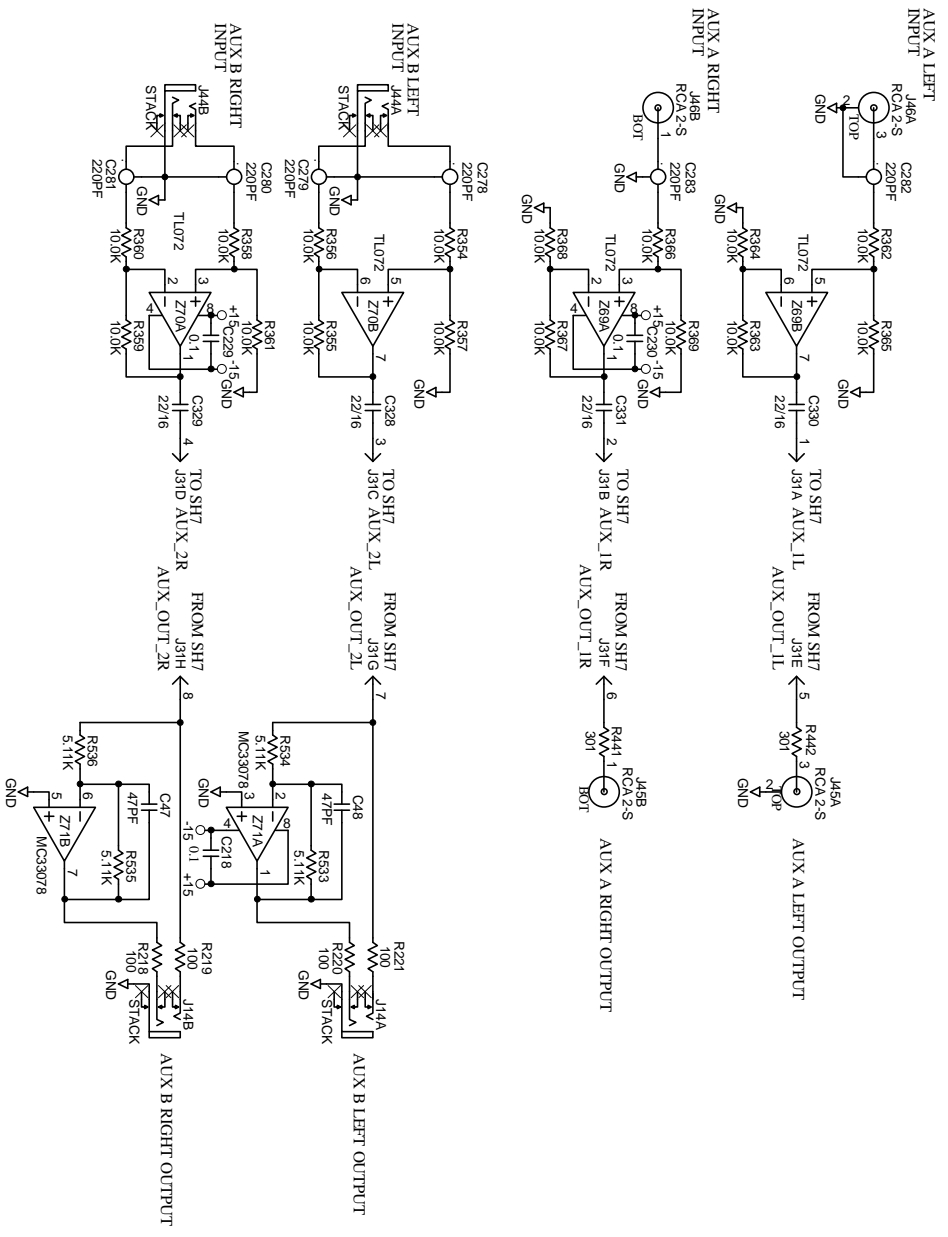
ACTION: DRAWN BY: RJ CHECKED BY: RWJ
 10892 27th Avenue West
 VANUVER, WA 98023-3538

RANE
 MIX LEFT MP 44
 SHEET 1 OF 1
 1001 18 105362
 EFFECTS PCB



EFFECTS PCB

ACTION	DRAMAN REV. R1	CHECKED BY RWJ	
<p>10802 27th Avenue West Tukwila WA 98178-3288</p>			
<p>RANE</p>			<p>SHEET 11 of 18</p>
<p>MIX RIGHT MP 44</p>			
<p>105362</p>			

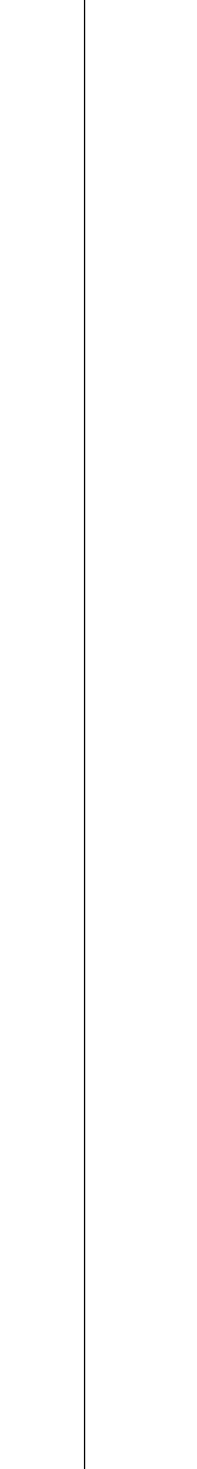
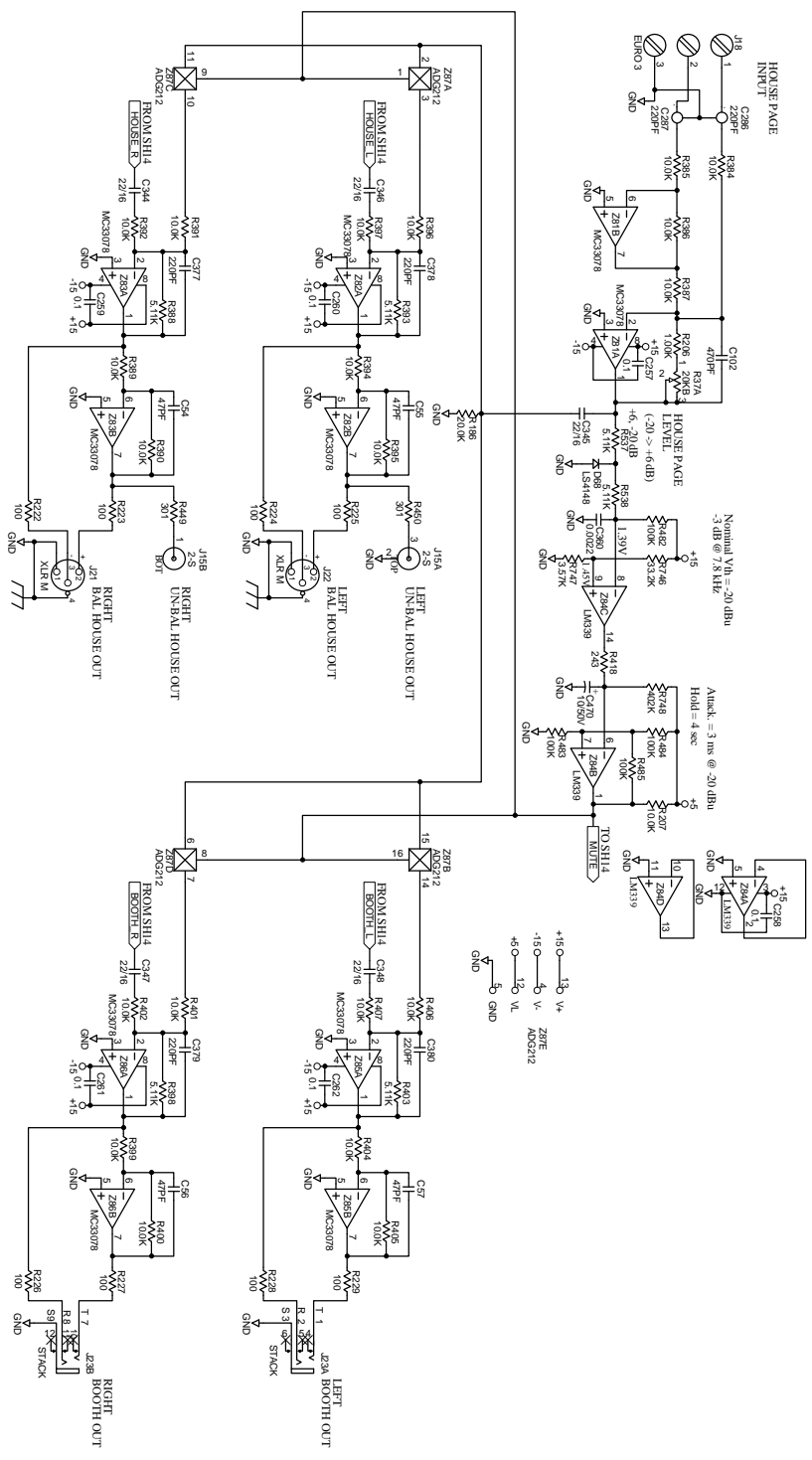


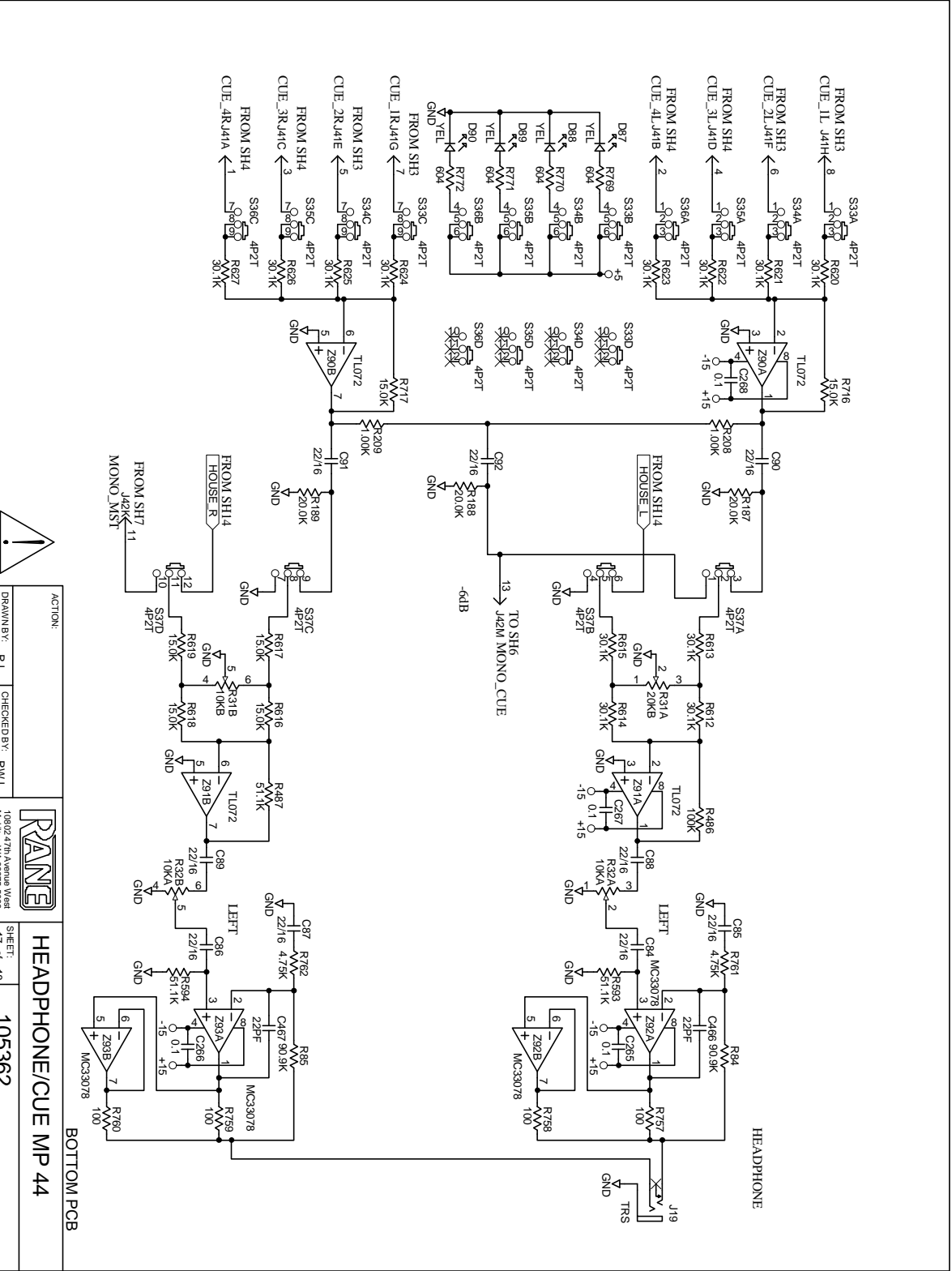
EFFECTS PCB

ACTION:		DRAWN BY: RJ		CHECKED BY: RWJ				SHEET: 18	
C:\PCB\ITEM-110536212.SCH		18-May-2002		10802, 47th Avenue West Mukilteo WA 98275-5098		105362		AUX IN/OUT MP 44	



BOTTOM PCB





ACTION:
 DRAWN BY: RJ
 CHECKED BY: RWJ

PANTE
 10802, 47th Avenue West
 Mukilteo WA 98275-5098

HEADPHONE/CUE MP 44
 SHEET: 18
 105362

BOTTOM PCB



ACTION: DOC NUMBER WAS 104663
 D76 & D77 WERE MBR3100
 DRAWN BY: RJ
 CHECKED BY: RWJ

RANER
 10802 47th Avenue West
 Mukilteo WA 98275-5098

PWR SUP MP 44
 SHEET: 18 of 18
 105362

BOTTOM PCB

