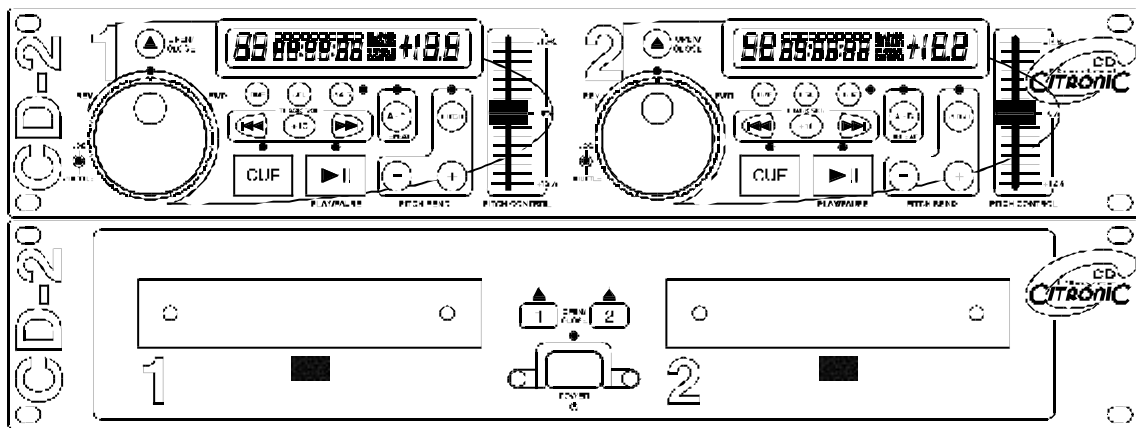

CITRONIC

CD-2

Professional DJ Dual CD Player & Controller



OWNERS MANUAL

Table of Contents

About Citronic	3	20 F. SKIP Track Forward Skip.....	9
Important Safety Information	3	21 - Pitch Bend Button	9
1. Checking the Contents	4	22 + Pitch Bend Button	9
2. Installing the Unit.....	4	23 CONTROL CONNECTOR.....	9
Compact Discs.....	5	24 ~27 LCD.....	9
Illustrations	5	28 TIME BAR Indicator	9
Control Unit.....	6	29 ELAPSED Indicator.....	9
LCD Display.....	7	30 CONTINUE Indicator.....	9
Features and Functions.....	8	31 SINGLE Indicator	9
Main Unit Front Panel.....	8	32 REMAIN Indicator.....	9
1 POWER.....	8	33 PITCH DISPLAY	9
2 Disc Holder	8	REMOTE STARTS.....	9
3 OPEN/CLOSE Button.....	8	34 REMOTE START/STOP SELECT	9
4 REMOTE CONTROL CONNECTOR	8	SWITCH.....	9
5 LINE OUT 1 and 2.....	8	35 REMOTE START/STOP CONNECTOR	9
6 DIGITAL OUT 1 and 2.....	8	Operating Instructions	10
7 AC power socket and Fuse holder.....	8	1. Opening and Closing the Disc Holder	10
CONTROL UNIT	8	2. Loading Discs.....	10
1 OPEN/CLOSE (Open/Close Button).....	8	3. Selecting Tracks.....	10
2 TIME (Time Button)	8	4. Starting Playback	10
3 LCD Display	8	5. Stopping Playback	11
4 SGL (Single Button).....	8	6. Pausing.....	11
5 PROGRAM (Program Button).....	8	7. Auto Cueing.....	12
6 PROGRAM Indicator	8	8. Cue Recall.....	12
7 A-B Repeat Indicator	8	9. Cue Listen.....	12
8 A-B Repeat (Loop Button).....	8	10. Cue Editing.....	12
9 PITCH Indicator	8	11. Cue Edit Quick Reference	12
10 PITCH (Pitch Button).....	8	12. Frame search (JOG)	13
11 Pitch Slider	8	13. Searching (SHUTTLE)	13
12 JOG (Jog Dial).....	8	14. Time display.....	13
13 SHUTTLE (Shuttle Dial).....	8	15. Pitch – (BPM).....	14
14 B. SKIP Track Backward Skip	8	1 Pitch Slider	14
15 CUE Indicator	8	2 Pitch Bending.....	14
16 CUE (Cue Button)	9	16. Program play.....	15
17 +10 (Track +10 Button).....	9	17. A-B Repeat.....	15
18 PLAY Indicator	9	Switching Off	15
19 PLAY/PAUSE Button	9	Technical Specification.....	16
		Your Guarantee of Satisfaction	17
		CE Markings.....	17

About Citronic

Thank you for choosing Citronic and the CD-2 Professional DJ Dual CD Player & Controller. You have joined a discerning group of DJ's and operators who value design integrity, quality and state of the art facilities.

Established in Melksham, Wiltshire in 1972, Citronic occupies prestigious purpose built factory headquarters. The award winning product range covers professional audio mixers, amplifiers and signal processing.

Each unit is manufactured to the highest possible standards and all have an enviable reputation for reliability and value for money – the noted hallmark of Citronic products.

Substantial investment has been made in high technology CAD systems, manufacturing control and testing techniques. This sophisticated computerisation coupled with an extensive research and development program, enables the company to offer an exceptional degree of manufacturing excellence and quality assurance.

Citronic has always listened carefully to the customer and places tremendous emphasis on market research. This ensures that the exacting requirements of the DJ are complimented without compromise, throughout the entire product range. This unique approach, coupled with a strong input from a highly qualified engineering team, ensures that Citronic maintains its position as a respected leader, in the industry's development.

Citronic has a distribution network throughout Europe, Asia and the Americas.

Enjoy your new purchase.

WARNING

In order to obtain the best service from the unit we **STRONGLY** recommend that you read this manual before you apply any power

Important Safety Information

Safety Warnings:

All the safety and operating instructions should be read before the appliance is operated.

To prevent fire or shock hazard, do not expose this appliance to rain or moisture.

To reduce the risk of electric shock, do not remove the cover (or back). There are no serviceable parts inside.

Always refer servicing to qualified service personnel.

Cautionary Notes:

Care must be taken not to damage the AC power adaptor casing, which could expose line parts and cause electric shock. When removing from wall outlet, be sure to remove by holding the case and not by pulling the cord.

In order to prevent electric shock; do not open the top cover. If a problem occurs, contact your dealer.

Do not place metal objects or spill liquid inside the mixer. Electric shock or malfunction may result.

Any use of the controls, or any adjustment, or the performance of any procedure other than those specified herein may result in serious damage to your health.

The mixer should not be opened or repaired by anyone except properly qualified service personnel.

Double insulated - when servicing, use only identical replacement parts.

Your Serial Number

Please, record and retain serial number of your CD-2 Dual CD Player shown on the rating label.

My Serial Number Is:

1. Checking the Contents

Check that the carton contains the following items:

- 1) Main unit
- 2) Control unit
- 3) Operating instruction (this booklet)
- 4) Pair of RCA pin cord.
- 5) Control cords (3 metre)
- 6) IEC Cord Set

2. Installing the Unit

- Mount the unit onto your console or rack with 19" EIA rack rails.
- Allow for sufficient heat dispersion when installed on a rack.
- Keep the set free from moisture, water, and dust.
- Do not obstruct the ventilation holes.
- Do not connect or disconnect the Control cable with the power switched ON

CAUTION: The player will work normally when the front panel of the main unit is mounted within 15 degrees of the vertical plane. If the unit is tilted excessively, discs may not be loaded or unloaded properly. (Figure 1)

- The control panel's LCD's are designed to be clearly visible within the angles shown in Figure 2. Mount the control unit so that the visual angle is within this range.

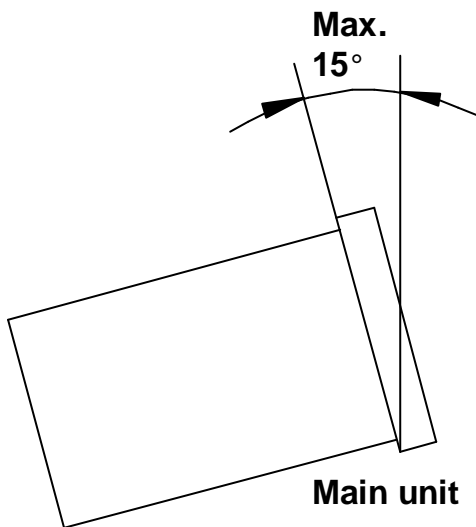


Figure 1

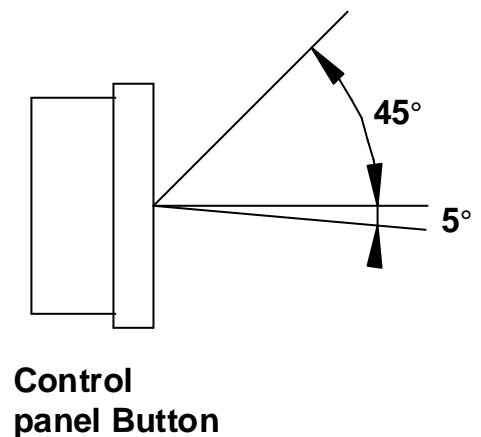


Figure 2

Connections

1. Turn off the POWER switch.
2. Connect the RCA pin cord to the input on your mixer.
3. Connect the control cords to the REMOTE connector on the main unit.

CAUTION:

- * Be sure to use the supplied control cords. Using another type of cable may result in damage.
- * Be sure the power is off when connecting the control cords. Otherwise the units may not work properly.

Compact Discs

1. Precautions on handling compact discs

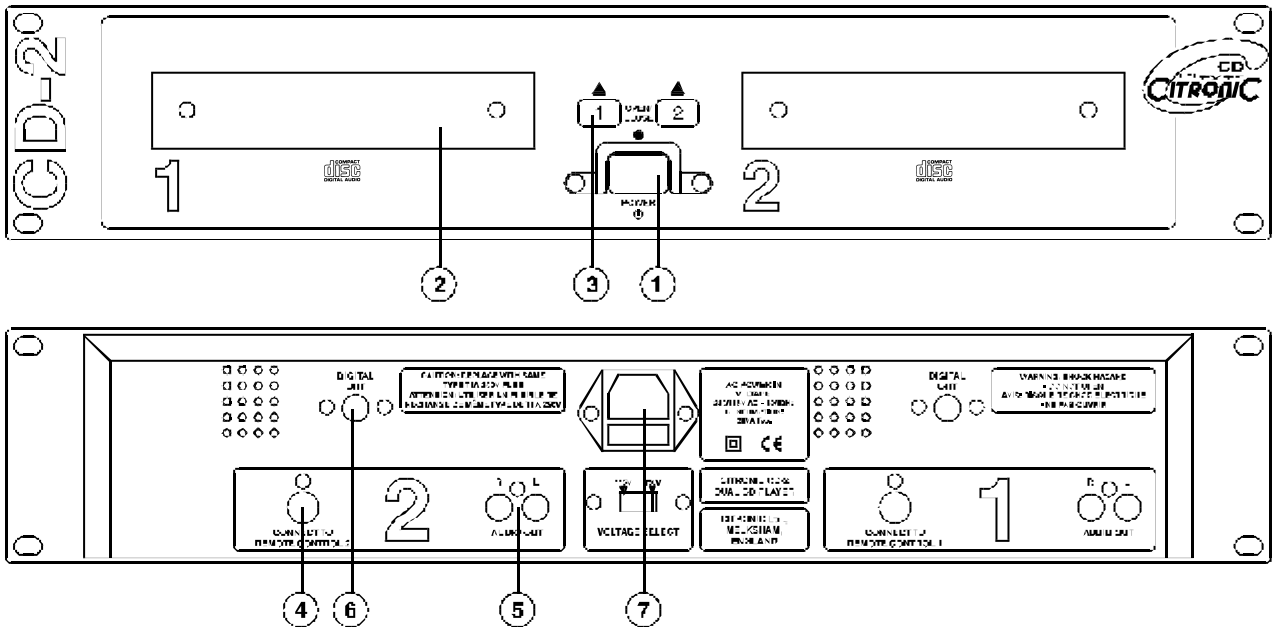
- Do not allow fingerprints, oil or dust to get on the surface of the disc.
- If the disc is dirty, wipe it off with a soft dry cloth.
- Do not use benzene, thinner, water, record spray, electrostatic-proof chemicals, or silicone-treated cloths to clean discs.
- Always handle discs carefully to prevent damaging the surface; in particular when removing a disc from its case or returning it.
- Do not bend the disc.
- Do not apply heat.
- Do not enlarge the hole in the center of the disc.
- Do not write on the label (printed side) with a hard-tipped implement such as a pencil or ballpoint pen.
- Condensation will form if a disc is brought into a warm area from a colder one, such as outdoors in winter. Do not attempt to dry the disc with a hair dryer, etc.

2. Precaution on storage

- After playing a disc, always unload it from the player.
- Always store the disc in the jewel case to protect from dirt or damage.
- Do not place discs in the following areas:
 - Areas exposed to direct sunlight for a considerable time.
 - Areas subject to accumulation of dust or high humidity.
 - Areas are affected by heat from indoor heaters, etc.

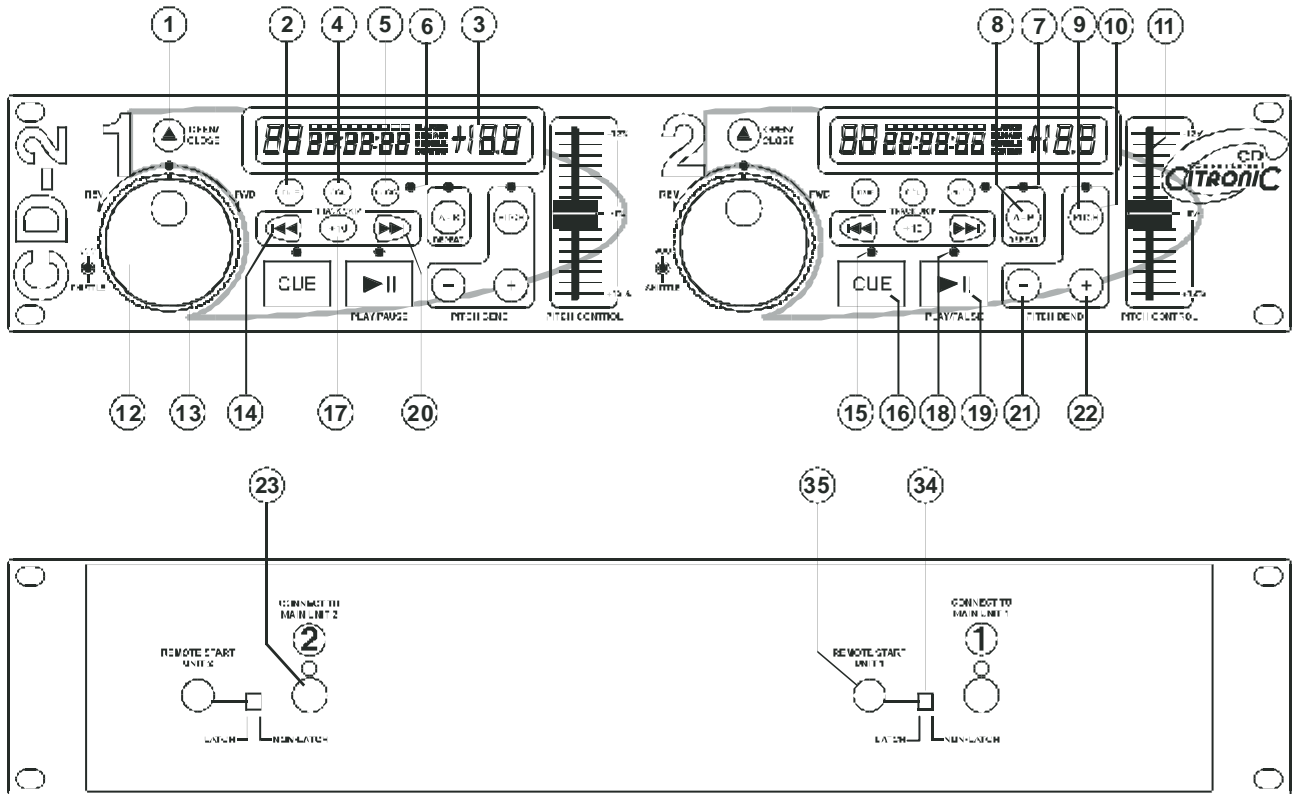
Illustrations

Main Unit



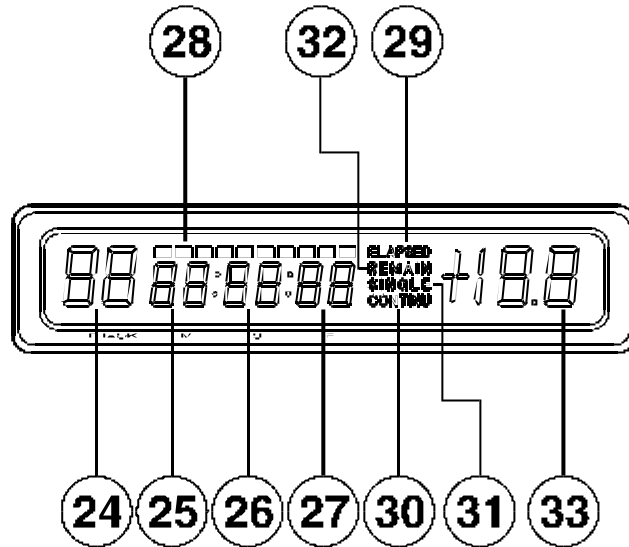
- | | |
|------------------------------------|------------------------------|
| (1) POWER (Power ON/OFF Switch) | (5) LINE OUT |
| (2) Disc Holder | (6) DIGITAL OUT |
| (3) OPEN/CLOSE (Open/Close Button) | (7) AC POWER socket and Fuse |
| (4) REMOTE CONTROL CONNECTOR | |

Control Unit



- | | |
|---|--|
| <ul style="list-style-type: none"> (1) OPEN/CLOSE (Open/Close Button) (2) TIME (Time Button) – mode select (3) LCD (Liquid Crystal Display) (4) SGL (Single Button) (5) PROGRAM (Program Button) (6) PROGRAM Indicator (7) A-B Repeat Indicator (8) A-B Repeat (Loop Button) (9) PITCH Indicator (10) PITCH (Pitch Select Button) (11) Pitch Slider (12) JOG (Jog Dial) | <ul style="list-style-type: none"> (13) SHUTTLE (Shuttle Dial) (14) B. SKIP Track Backward Skip (15) CUE Indicator (16) CUE (Cue Button) (17) +10 (Track +10 Button) (18) PLAY Indicator (19) PLAY/PAUSE / (Play/Pause Button) (20) F. SKIP Track Forward Skip (21) - (Pitch Bend – Button) (22) + (Pitch Bend + Button) (23) CONTROL CONNECTOR |
|---|--|

LCD Display



(24) ~(27) TRACK, MINUTE, SECOND and FRAME

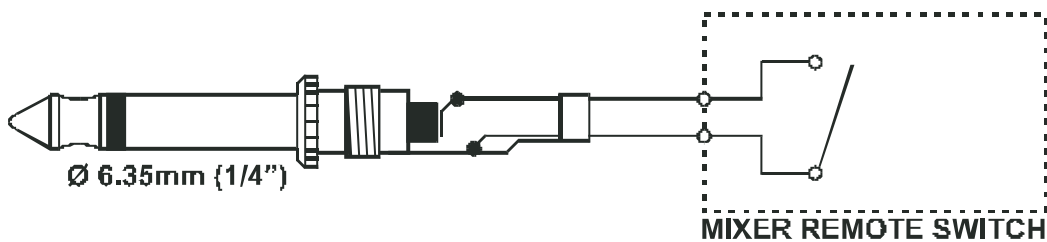
Displays

- (28) TIME BAR Indicator
- (29) ELAPSED Time Indicator
- (30) CONTINU Indicator (continuous play mode)
- (31) SINGLE Indicator (single play mode)
- (32) REMAIN Time Indicator
- (33) PITCH % Display

REMOTE STARTS

- (34) REMOTE START Select Switch
- (35) REMOTE START Connector

REMOTE START CONTROL CABLE WIRING



Features and Functions

MAIN UNIT FRONT PANEL

- 1 POWER**
(Power ON/OFF Switch)
When the POWER switch is pressed, the power turns on.
- 2 Disc Holder**
Place the discs in the holder. Ensure the disc is placed centrally on the holder, to avoid damage to your disc or the holder, when the holder closes.
- 3 OPEN/CLOSE Button**
Press it to open and close the disc holder. The control unit also includes OPEN/CLOSE button. The disc holder cannot be opened during playback, so stop playback before pressing the button.
- 4 REMOTE CONTROL CONNECTOR**
Connect this connector to the control unit using the included control cord. (Turn the Power OFF before making this connection)
- 5 LINE OUT 1 and 2**
The audio signals from each player are output from these jacks.
- 6 DIGITAL OUT 1 and 2**
The digital audio outputs from each player are output from these coaxial connectors (AES/ EBU, EIAJ CP-340)
- 7 AC power socket and Fuse holder.**
IEC socket with integral T1A fuse.

CONTROL UNIT

- 1 OPEN/CLOSE (Open/Close Button)**
Press it to open and close the disc holder. The main unit also includes OPEN/CLOSE buttons. The disc holder cannot be opened during playback, so stop playback before pressing the button.
- 2 TIME (Time Button)**
Press this button to switch the time display between the elapsed time and remaining time. The selected mode is indicated by the ELAPSED and REMAIN indicator on the LCD.
- 3 LCD Display**
- 4 SGL (Single Button)**
Press it to switch the single and continuous play modes. The SINGLE mode is indicated by the SINGLE indicator on the LCD and continuous mode is indicated by the CONTINUE indicator on the LCD.
The Single mode provides Auto-pause between tracks.
- 5 PROGRAM (Program Button)**
Press the PROGRAM button, the player will enter the program mode and stop the CD playback.
Note: This button is RED to warn you that if pressed during normal playback, it will Stop immediately and engage Program mode.
- 6 PROGRAM Indicator**
The PROGRAM LED lights when program mode is set.
- 7 A-B Repeat Indicator**
When the A start point is set, the LED flashes. When the B end point is set, the LED lights continuous.
Note: Press again to cancel Repeat
- 8 A-B Repeat (Loop Button)**
Press the A-B button to set the loop start point, press the A-B button again to set the loop end point. Press again to cancel.
- 9 PITCH Indicator**
When the indicator lights, the pitch adjustment is enabled.
- 10 PITCH (Pitch Button)**
Use this button to enable or disable BPM adjustment with the pitch slider.
- 11 Pitch Slider**
Use the slider to adjust the pitch. Slide up to decrease the pitch, down to increase the pitch. The range is +/- 12 %, in 0.1 % steps.
- 12 JOG (Jog Dial)**
When the dial is turned during PAUSE, the player will go into FRAME SEARCH. Frames advance at the same rate as the corresponding number of clicks. Clockwise moves the point forward, counterclockwise moves the point backward.
- 13 SHUTTLE (Shuttle Dial)**
Use the dial to select the search direction and speed. The disc is scanned in the forward direction when the shuttle dial is turned clockwise from the neutral position, in the reverse direction when the shuttle dial is turned counterclockwise. Note the search speed increases when the shuttle dial is turned further. There are 4 increasing levels of search.
- 14 B. SKIP Track Backward Skip**
Use this button to go back to the beginning of the current track or select a previous track for playing, by pressing the button subsequently.
- 15 CUE Indicator**
When in CUE mode, the CUE indicator lights.

16 CUE (Cue Button)

Press the CUE button during playback to return to the position at which playback started.
Note The CUE point is Auto as standard but can be manually adjusted (see section on CUE Edit)

17 +10 (Track +10 Button)

Use the button to skip ahead 10 tracks.

18 PLAY Indicator

The PLAY indicator lights during play mode.

19 PLAY/PAUSE Button

Use the button to start playback. Press once to start playback, once again to set the pause mode, and once more to resume playback.

20 F. SKIP Track Forward Skip

Use this button to skip to the next track.

21 - Pitch Bend Button

The CD slows down while this button is pressed. Release the button to return to the original BPM.

22 + Pitch Bend Button

The CD speeds up while this button is pressed. Release the button to return to the original BPM.

23 CONTROL CONNECTOR

Connect this connector to the REMOTE connector on the main unit using the included control cord.

Turn Power OFF before connecting!

24 ~27 LCD

The TRACK, MINUTE, SECOND and FRAME information on the LCD displays indicate information for the CD's current position and time.

28 TIME BAR Indicator

These ten indicators provide a visual display of the approximate position of the pickup within the current track. In addition the bar will flash during the last 10 seconds of the track, as a visual warning to the end of the track.

29 ELAPSED Indicator

It indicates that the time shown for the display is the elapsed time.

30 CONTINUE Indicator

When the indicator lights, the function will cause the unit to play continuously.

Note this mode is selected on Power –up!

31 SINGLE Indicator

When the indicator lights, playback will AUTO PAUSE at the beginning of the next track.

32 REMAIN Indicator

It indicates that the time shown on the display is the remaining time of playing track.

33 PITCH DISPLAY

It shows the Pitch (BPM) range, the Pitch has a range of +/-12%.

REMOTE STARTS

34 REMOTE START/STOP SELECT SWITCH

Non-Latch: Non Latching Action.

To START CD short jack contacts together then release.

To STOP CD short and release the contacts again.

Latch: Latching Action.

To START CD playing short and hold contacts of jack socket together.

To STOP CD playing release contacts.

35 REMOTE START/STOP CONNECTOR

This is a 6.35mm (1/4") jack connector. This enables the remote start of the player by opening the mixer channel.

Note: This facility will only operate when used in conjunction with a mixer that provides a remote deck start output.

Operating Instructions

1. Opening and Closing the Disc Holder

- Turn the unit power on. Press the OPEN/CLOSE button to open the disc holder. OPEN/CLOSE buttons are provided on both the main unit and control unit.
- The disc holder cannot be opened during playback to prevent playback from being interrupted if the OPEN/CLOSE button is pressed accidentally. Stop the playback first, then press the OPEN/CLOSE button.

2. Loading Discs

- Hold the disc by the edges and place it in the disc holder, then press the OPEN/CLOSE button again to close the disc holder. The unit will show the total track number and the total playing time for about 2 seconds then enter the auto-cue condition, the cue point will be set to the music starting point of the first track automatically.

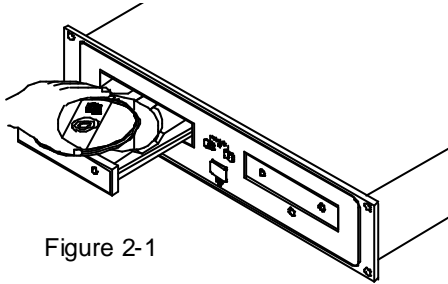


Figure 2-1

CAUTION:

- Do not place any foreign objects in the disc holder, and do not place more than one disc in the disc holder at a time.
- Do not push the disc holder in manually when the power is off, as this may result in malfunction and damages the player.

3. Selecting Tracks

- Press the SKIP button once to move to next higher or lower track.
- Hold the SKIP button to change tracks continuously at a higher speed.
- When a new track is selected during continuous playback, playback begins as soon as the skip search operation is completed.
- If the skip **▶▶** button is pressed while at the last track, the first track is selected. In the same way, if the skip **◀◀** button is pressed while at the first track, the last track is selected.

4. Starting Playback

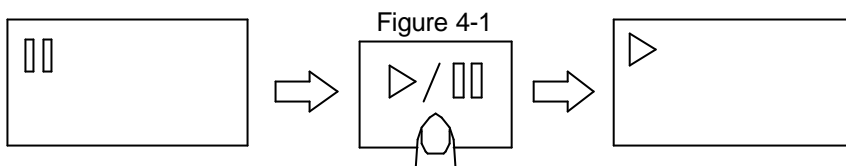
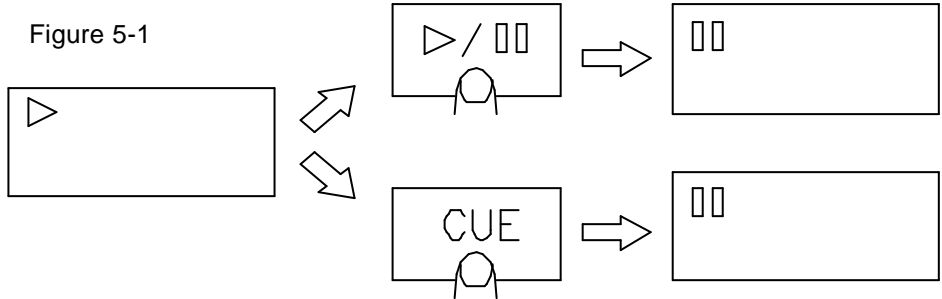


Figure 4-1

- Press the PLAY/PAUSE button during the pause or cue condition to start playback, the PLAY indicator lights.
- The point at which playback starts is automatically stored in the memory as the CUE point. The pickup then returns to the cue point when the CUE button is pressed. (Back Cue)

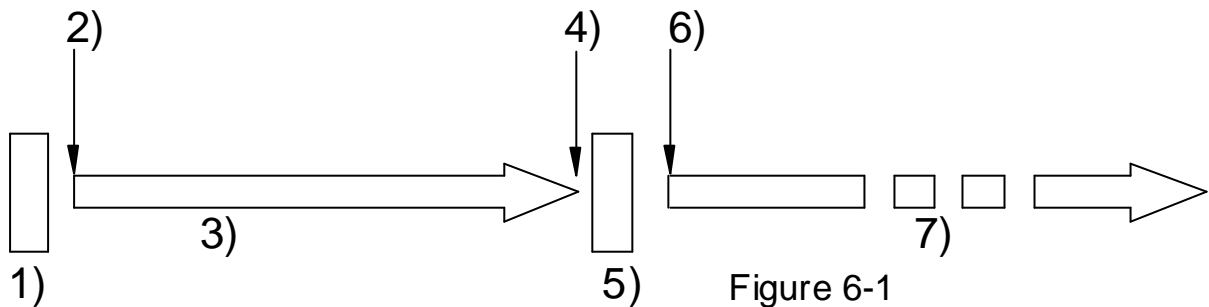
5. Stopping Playback

- * There are two ways to stop playback.
- a) Press the PLAY/PAUSE button during playback to pause at that point.
- b) Press the CUE button during playback to return to the cue point and enter pause condition.(Back Cue)



6. Pausing

- Press the PLAY/PAUSE button to switch the play and pause.
- The play indicator flashes when the pause mode is set.
- Figure 6-1 shows the relationship between the play and pause.



1. The player has completed the cue or pause operation and is waiting for the play start command.
2. When the PLAY/PAUSE button is pressed, playback starts and a new cue point is stored in the memory.
3. Playing.
4. The pause mode is set when the PLAY/PAUSE button is pressed again
5. Pausing.
6. Playback resumes when the PLAY/PAUSE button is pressed again. Note the Cue point in memory will update.
7. Playing.

7. Auto Cueing

- The CD player will AUTO-CUE Track 1 and any subsequent track skip, either in Single or Continuous play mode
- AUTO-CUE finds the start of the sound on track 1 or subsequent track skip. This will be noticed in the Time Elapsed display mode by the track cue point being at a number of seconds and frames instead of 00:00:00 time. This will be dependent on the CD recording.
- The CUE indicator will flash for about 1 second when the CUE point has been set.

8. Cue Recall

- Press CUE button, and the player will enter Cue mode. The player will return to the Cue point and Pause.
- When the PLAY is subsequently pressed, the track will start from this Cue point.

9. Cue Listen

- Before playback is engaged, the start (CUE) point of a track can be checked (monitored) by pressing the CUE button.
- Press Cue button when the player is in PAUSE mode. The playback will start
When the Cue button is released the player will return to the cue point and PAUSE.
Note: the RED Cue indicator will flash for 1 second when the Cue point is set and continuous subsequently.

10. Cue Editing

- The start point of any track can be set to any time frame you desire.
- Firstly find the point by use of the PLAY - PAUSE - F. Skip - B. Skip and finally JOG frame search.
- Once the point is identified the CUE point is placed into memory by pressing PLAY.
- Press the Cue button to return to the new Cue point and pause mode.
- To check the Cue point , press CUE and hold to listen. Release the button to return to Cue point and pause.
- If the Cue point is incorrect, use the JOG wheel to frame advance or retard to the required point.
- To re-mark and then set the Cue point, press Play and subsequently Cue.

11. Cue Edit Quick Reference

To edit, set Cue point into memory and set the player in Pause.



12. Frame search (JOG)

- Frame search is a function for monitoring the sound at a certain section of the disc and manually changing the cue position. This allows accurate cue points to be selected.
- Turn the JOG dial while in pause or cue mode to begin searching. The sound for one revolution of the disc is output repeatedly. The point at which the sound starts is indicated on the LCD.
- When the JOG dial is turned, the point from which the sound is output moves a number of frames corresponding to the number of the clicks, and the time display on the LCD also changes.
- The search point moves in the forward direction when the JOG dial is turned clockwise, in the reverse direction when the JOG dial is turned counterclockwise.

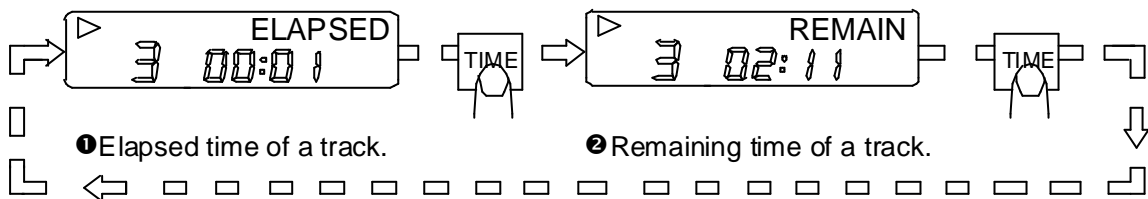
13. Searching (SHUTTLE)

(Fast forward/Fast backward)

- Searching is a function for moving quickly forward or backward when the SHUTTLE is rotated.
- This unit supports 4 different speeds according to the rotational angle of the SHUTTLE wheel.
- Turn the shuttle dial to begin searching. The disc moves rapidly forward or backward and the sound is output. The current search point is indicated on the LCD.
- Turn the shuttle dial clockwise to search in the forward direction, counterclockwise to search in the reverse direction.
- Releasing Shuttle while in Play mode will revert to Play.
- Releasing Shuttle while in Pause mode will revert to Frame Search repeat.

14. Time display

Press TIME button to select time display mode:



15. Pitch – (BPM)

(Matching the Beats Per Minute)

There are three tools available for matching the BPM of the two CDs:

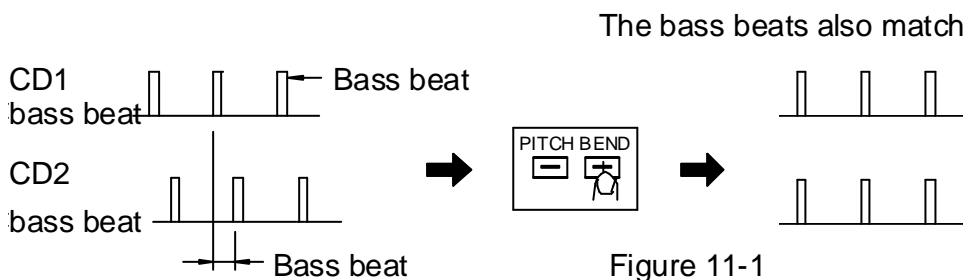
1. Use the pitch slider to adjust the BPM.
2. Use the PITCH BEND buttons to change the BPM temporarily.
3. Turn the JOG dial to change the BPM temporarily.

1 Pitch Slider

1. To adjust the BPM by sliding the pitch slider up or down, press the PITCH button to turn on the PITCH adjustment function before using.
2. Slide the pitch slider up to decrease BPM, or down to increase BPM. The adjustment range is +/-12%.
The slider offers precision setting to within 0.1%.

2 Pitch Bending

- The BPM increases or decreases respectively while the PITCH BEND + or PITCH BEND - button is pressed.
- This feature allows the BPM of the CD player with another sound source or another CD.
- The BPM increase depends on how long you hold the button. If you hold the button for about 1/2 second, the BPM will go either to +16% for PITCH BEND + or -16% for PITCH BEND. If you tap the button, the BPM will only change a little so that you can change the beat slightly with minimum audible changes in the music.
- The CD will return to the tempo indicated by the Pitch slider when you let go of the PITCH BEND + or -.
- Figure 11 shows an example of how to use the pitch bend function, to Beat align. In this example, both CD's are playing and the BPM has already been matched with the pitch sliders.



Pitch Bend with JOG dial.

Turn the jog dial clockwise during play to increase the Pitch, counterclockwise to decrease the Pitch.

The faster you turn the wheel, the more the pitch changes.

When you release jog wheel, the CD will return to the tempo indicated by the pitch slider.

16. Program play

This button is RED and when pressed it will cancel any current Play immediately and go into Program mode.

1. Press the PROGRAM button, the player will enter the program mode and the CD will stop rotating.
2. Select the desired track by pressing the SKIP button, then press the PROGRAM button again. The selected track will be added to the program sequence.
3. Repeat step 2 operation. A maximum of 30 tracks can be programmed at one time.
Note – that the total program play time is displayed, for reference.
4. Press the PLAY/PAUSE button to start the program play from the first selection.
5. Press the program button momentarily during program play to stop program play.
6. Press and hold the program button more than 2 seconds to cancel program mode and erase all the current program contents.

Note – that program mode can be Continuous or Single – Remember to select before starting playback.

17. A-B Repeat

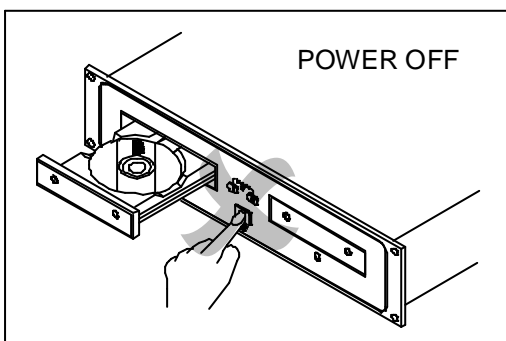
1. Press the A-B button to set the A start point, the A-B indicator will flash.
2. Press the A-B button again to set the B end point, After the B point is set, A-B repeat playback engage, and the indicator will be ON continuously.
3. Press the A-B button again, the function is canceled, and the A-B indicator goes out.

Switching Off

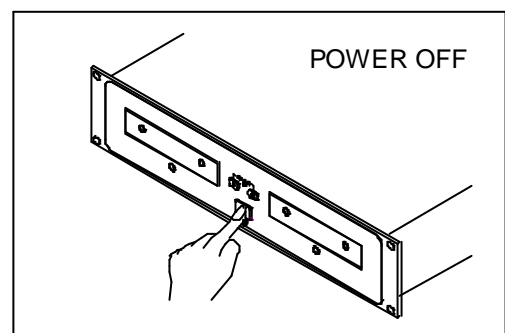
(Before switching off the power)

When you have finished using the CD player, before switching off the power, be sure that the disc holder had been closed with the OPEN/CLOSE button.

CAUTION: Do not forcibly close the disc holder when the power is off.



Do not switch off the power when the disc holder is open.



Switch off the power after the disc holder has been closed with the OPEN/CLOSE button.

Technical Specification

1. CHARACTERISTICS

1) Output Level	2.0Vrms	
2) Channel Balance	0.5dB	
3) Frequency response	+/- 0.5dB	20Hz-20KHz
4) De-emphasis	+/- 0.5dB	20Hz-16KHz
5) Channel Separation*	86dB	
6) THD.+ Noise*	0.01%	
7) S/N ratio (IHF-A)*	94dB	

NOTE: * with 20KHz low pass filter

2. SEARCHING TIME

	Min.	Max.	Condition
1) Short Access time	1.7sec	4.0sec	play next track
2) Long access time	3.0sec	6.0sec	track 1 → track 20 track 20 → track 1

3. GENERAL

1) Display	10 digit LCD Display
2) Pitch Slider Control	+/- 12%
3) Pitch Bend Control	+/- 16%
4) Pitch accuracy	0.1%
5) Digital Output	0.5V p-p @ 75 ohm

4. ENVIRONMENTAL

1) Operating Temperature	5 to 35 °C
--------------------------	------------

5. GENERAL

Dimensions:	Main unit:	482(W) x 88.8(H) x 300(D) mm
	Control unit:	482(W) x 88.8(H) x 95(D) mm
Weight:	Player unit:	5 kgs
	Control unit:	2 kgs
Power supply:	115 / 230V AC, 50 / 60Hz	T1A fused IEC socket.
Power consumption:	25W	

N.B. Citronic reserves the right to alter these specifications at any time and for any reason without liability.

Errors and Omissions Excepted.

Your Guarantee of Satisfaction

This product is guaranteed to the original purchaser against defects in material and workmanship for one year from the date of initial purchase. Activate this guarantee at the time of purchase by returning the Guarantee Card to the address on the front page. Keep a copy of your sales receipt for proof of guarantee status, should it be necessary.

The crossfader itself is a replacement part and is only guaranteed against defective workmanship. The slider selected for the crossfader function has been chosen for its excellent mechanical properties. In a discotheque application the extensive use of this facility means that the number of operations in a twelve-month period can exceed the manufactures electrical specification.

If a malfunction occurs, the dealer who supplied the unit will be happy to handle the repair. When returning a unit, use the original factory carton – do not chance inadequate packing materials. Simply tape a note to the unit describing the malfunction.

If your unit is out of guarantee, we recommend that you return it to an authorised Citronic dealer for repair or service. Experienced personnel, supported by specialist testing equipment, will be able to find and correct the fault in the most efficient and cost effective way

If you have need to contact us about the operation or servicing of your CD-2 Dual CD Player please write, telephone or e-mail to the address on the back page:-

CE Markings

EMC Conformity

The CD-2 Dual CD Players have been tested to demonstrate compliance with the EMC 89/336/EEC directive, under which the following harmonised standards apply:

- | | |
|-------------|-------------------------------|
| i) EN55020 | Electromagnetic Immunity |
| iv) EN55013 | Electromagnetic Compatibility |

Electrical Equipment Safety Regulations (1994)

The CD-2 Dual CD Players have been designed and tested to demonstrate compliance the LVD 73/23/Eec directive, using the following standard.

- i) EN60065 Safety requirements for mains operated electronic equipment for household and similar general use.

Citronic Limited
Halifax Road
Bowerhill
Melksham
Wiltshire
England
SN12 6UB
Tel: +44 (0) 1225 705600
Fax: +44 (0) 1225 709639
Email: sales@citronic.com
Web: www.citronic.com